

POWER MONITORING & PROTECTION

MINI CURRENT SWITCH

CCM

DESCRIPTION

The **Setra Model CCM mini current switch** is a miniature, fixed setpoint current switch designed to fit into the tightest of locations. Designed to detect changes in operating current, the mini current switch can be installed into tight enclosures for new construction or retrofit jobs. The mini current switch has a low set point of 0.15 A and can be used to monitor circuits up to 60 A.

NEW!

Setra



CCM



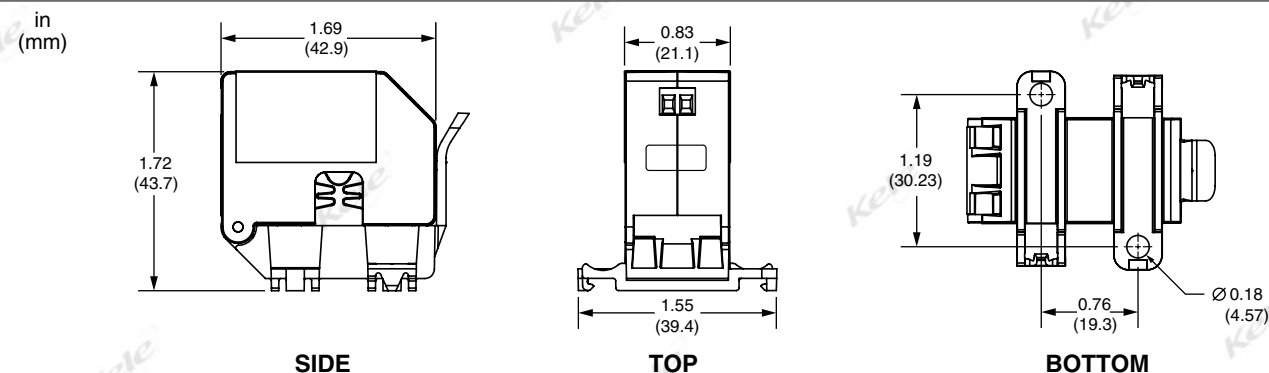
FEATURES

- **Clamped split core design**
- **0.15A fixed set point**
- **Under current sensing**
- **Integral mounting flange with DIN rail capability**
- **Self-powered**

SPECIFICATIONS

Frequency	50/60 Hz	Enclosure Rating	NEMA 1
Output	N.O., 1A @ 30 VAC/VDC	Mounting	Din or foot
Max, Sensing Current	60A, 300 VAC	Window Size	0.3 in (0.76 cm), 6 AWG
Current Set Point	0.15A (Fixed)	Dimensions	1.57" x 1.66" x 1.52" (3.99 x 4.22 x 3.86 cm)
Current Switching Mode	Under current sensing	Weight	0.88 lb (0.39 Kg)
Current Range	0.15 to 60A	Approvals	UL Listed #E317719, CE, RoHS
Insulation Class	300 VAC rms.	Warranty	1 year
Operating Temperature	5° to 140°F (-15° to 60°C)		
Operating Humidity	0-95% non-condensing		

DIMENSIONS



ORDERING INFORMATION

MODEL	DESCRIPTION
CCMF015	Mini current switch, 60A 300 VAC, fixed setpoint